

Technical data sheet

ZKB/ZKT

Rubber expansion joints

Applications and special features



- **ZKB** : galvanised steel flanges - stainless steel flanges on request
- Optional : with vacuum ring
- **ZKT** : with galvanised ductile iron union nut connections.
- Optional : brass connection in case of electrolytic risk - consult us.
- Excellent resistance of neopren against bad weather, heat, ozone, oil, hot water, steam, low acids and bases.

Technical description

ZKB with flanges PN10							EPDM	NBR	Vvs-nr	
DN	PFA	PS - bar				Cat.				
"	mm	bar	L1	L2	G1	G2	Reference			
1 1/4	32	16	16	16	0,5	16	3.3	149B 5141C	149B 5141N	
1 1/2	40	16	16	16	0,5	16	3.3	149B 5142C	149B 5142N	
2	50	16	16	16	0,5	16	3.3	149B 5143C	149B 5143N	
2 1/2	65	16	16	16	0,5	15	3.3	149B 5144C	149B 5144N	
3	80	16	16	16	0,5	12	3.3	149B 5145C	149B 5145N	
4	100	16	16	16	0,5	10	3.3	149B 5146C	149B 5146N	
5	125	16	16	16	0,5	8	3.3	149B 5147C	149B 5147N	
6	150	16	13	16	0,5	6	3.3	149B 5148C	149B 5148N	
8	200	10	10	10	0,5	5	3.3	149B 5149C	149B 5149N	
10	250	10	8	10	0,5	4	3.3	149B 5150C	149B 5150N	
12	300	10	6	10	0,5	3	3.3	149B 5151C	149B 5151N	
14	350	8	5	8	0,5	2	3.3	149B 5152C	149B 5152N	
16	400	8	5	8	0,5	2	3.3	149B 5153C	149B 5153N	
18	450	8	4	8	0,5	2	3.3	149B 5154C	149B 5154N	
20	500	8	4	8	0,5	2	3.3	149B 5155C	149B 5155N	
24	600	8	3	8	0,5	1	3.3	149B 5156C	149B 5156N	

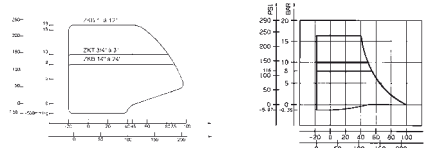
- **Connection** : flanges drilled PN : see table
- **Permissible operating pressure PFA - water-** (for supply, distribution, disposal of water) : See table
- **Maximum Permissible pressure PS - other mediums** : See table
- **θ** see pressure/temperature diagram
- **Mediums** : Clear liquids (EPDM)
Water with maxi 3% chlore and sea water : T° 40°C
Mineral oils (Nitrile)

Important notice :

The indicated pressure for the different categories of fluids (L1/L2/G1/G2) is under no condition a guarantee of use. Therefore, it is essential to validate the use of products under given operating conditions.

with flanges PN16							EPDM	NBR	Vvs-nr	
DN	PFA	PS - bar				Cat.				
"	mm	bar	L1	L2	G1	G2	Reference			
8	200	16	10	16	0,5	5	3.3	149B 008285	149B 5007N	
10	250	16	8	16	0,5	4	3.3	149B 008287	149B 5008N	
12	300	16	6	16	0,5	3	3.3	149B 008291	149B 5009N	
14	350	8	5	8	0,5	2	3.3	149B 008294	149B 5010N	
16	400	8	5	8	0,5	2	3.3	149B 008301	149B 5011N	
18	450	8	4	8	0,5	2	3.3	149B 008305	149B 5012N	
20	500	8	4	8	0,5	2	3.3	149B 008312	149B 5013N	
24	600	8	3	8	0,5	1	3.3	149B 008314	149B 5014N	

Pressure/temperature diagram



Important : Pressure 16 bar up to DN 300
8 bar DN 350 and 400

Technical data sheet ZKB/ZKT - Rubber expansion joints

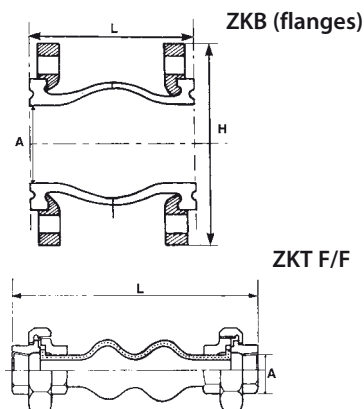
Overall dimensions

ZKB with flanges

DN "	A mm	H mm	L mm	KG
1 1/4	32	140	95	3,00
1 1/2	40	150	95	3,50
2	52	165	105	3,86
2 1/2	68	185	115	5,45
3	76	200	130	6,50
4	103	220	135	7,00
5	128	250	170	11,00
6	152	285	180	14,00
8	194	340	205	20,91
10	250	395	240	25,00
12	300	445	260	38,18
14	320	505	265	50,00
16	372	565	265	60,00
18	415	615	265	70,00
20	454	670	265	88,64
24	580	780	254	95,00

ZKT F/F

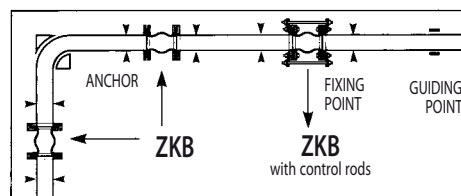
"	A mm	L mm	KG
3/4	20	200	0,775
	25	200	0,685
1 1/4	32	200	1,585
1 1/2	40	200	1,985
2	50	200	2,980
2 1/2	65	225	2,335
3	80	225	2,600



Installation scheme

- Mounted on piping installations, the ZKT joint absorbs expansions contractions, oscillations and vibrations, diminishes hammering, reduces noise and prevents electric currents from spreading.

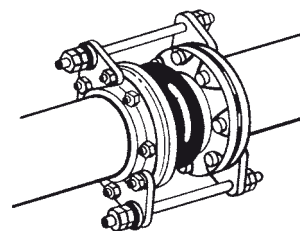
RECOMMENDED INSTALLATIONS SCHEME



Control rods

Control rods in galvanised steel - For flanges PN10 and PN16

DN "	mm	U V	REF	REF
			PN10	PN16
1 1/4	32	1	149B 5436	
1 1/2	40	1	149B 5437	
2	50	1	149B 5438	
2 1/2	65	1	149B 5439	
3	80	1	149B 5440	
4	100	1	149B 5441	
5	125	1	149B 5442	
6	150	1	149B 5443	
8	200	1	149B 5444	149B 0089 40
10	250	1	149B 5445	149B 0089 41
12	300	1	149B 5446	149B 0089 42
14	350	1	149B 5447	149B 0089 43
16	400	1	149B 5448	149B 0089 44
18	450	1	149B 5449	149B 0089 45
20	500	1	149B 5450	149B 0089 47
24	600	1	149B 5451	149B 0089 48



JOINTS SIZE		PSIG	Bar
"	mm		
1" - 4"	25 - 100	150	10,3
5" - 10"	125 - 250	135	9,3
12" - 14"	300 - 350	90	6,2
16" - 24"	400 - 600	45	3,1

Control rod unit must be installed when pressure (Test surge, operating) exceeds the rating above.